

The Leading Manufacturer & Exporter of Mica and Mica based products



M/s Sitaram Rajgarhia is a leading manufacturer and exporter of mica and mica based products. It specialises in the manufacture of mica capacitors catering to the electronic and electrical industries all over the world.

We have been in the mica business for over 100 years now and have progressively moved from raw mica to value added mica based products. We currently export mica capacitors and other mica products to over 20 different countries including Japan, USA, UK, Russia, Germany, France, Taiwan and Korea.

Our capacitors are manufactured from the best quality Indian Bihar Ruby Muscovite Mica. Mica is a natural inorganic material having extremely good dielectric and thermal properties. This makes it an ideal material for manufacturing capacitors requiring reliable performance for long periods.

Our capacitors conform to International standards of **JSS 50200 & JSS 50201**. We also design and manufacture customized capacitors based upon specific requirements and applications of our customers. Our capacitors are manufactured for all kinds of applications ranging from high frequency applications to high voltage applications and perform well in extremely challenging external environments.

Our range of mica capacitors includes Moulded Mica Capacitors in various styles of termination, **Dipped Mica Capacitors**, **Power Transmitting Capacitors** for high voltage and high frequency applications. The details of our product range are outlined below.

Our Products

PROCESSED MICA



BLOCK MICA



MICA THINS



MICA FILMS



MICA SPLITTINGS

FABRICATED MICA



MICA FOR LIQUID LEVEL



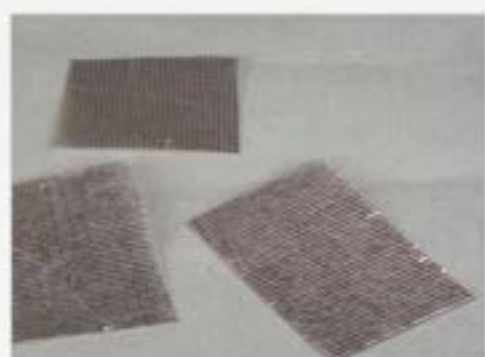
CUT MICA DISCS



WINDOW MICA



HEATING ELEMENTS



CRIMPED/CORRUGATED MICA



CONDENSOR PLATES



BACKING MICA



ROLLED MICA TUBE



WRAPPER MICA



MICAWASHERS



TRIMMER MICA

MICA FLAKES & POWDER



MICA SCRAP



MICA FLAKES



MICA POWDER

Gauge Glass

MICA SHIELD



OVERALL DIMENSIONS (MM)

SIZE	TYPE A		TYPE A		TYPE A	
	L2	B2	L2	B2	L2	B2
0	95	30	95	34	-	-
I	115	30	115	34	133	47 ²⁾
II	140	30	140	34	-	-
III	165	30	165	34	183	47 ²⁾
IV	190	30	190	34	208	47 ²⁾
V	220	30	220	34	238	47 ²⁾
VI	250	30	250	34	268	47 ²⁾
VII	280	30	280	34	298	47 ²⁾
VIII	320	30	320	34	338	47 ²⁾
IX	340	30	340	34	358	47 ²⁾

S=0, 15-0, 20

S=0, 15-0, 20

¹⁾ S=0, 60

²⁾ S=0, 30-0, 40

Material

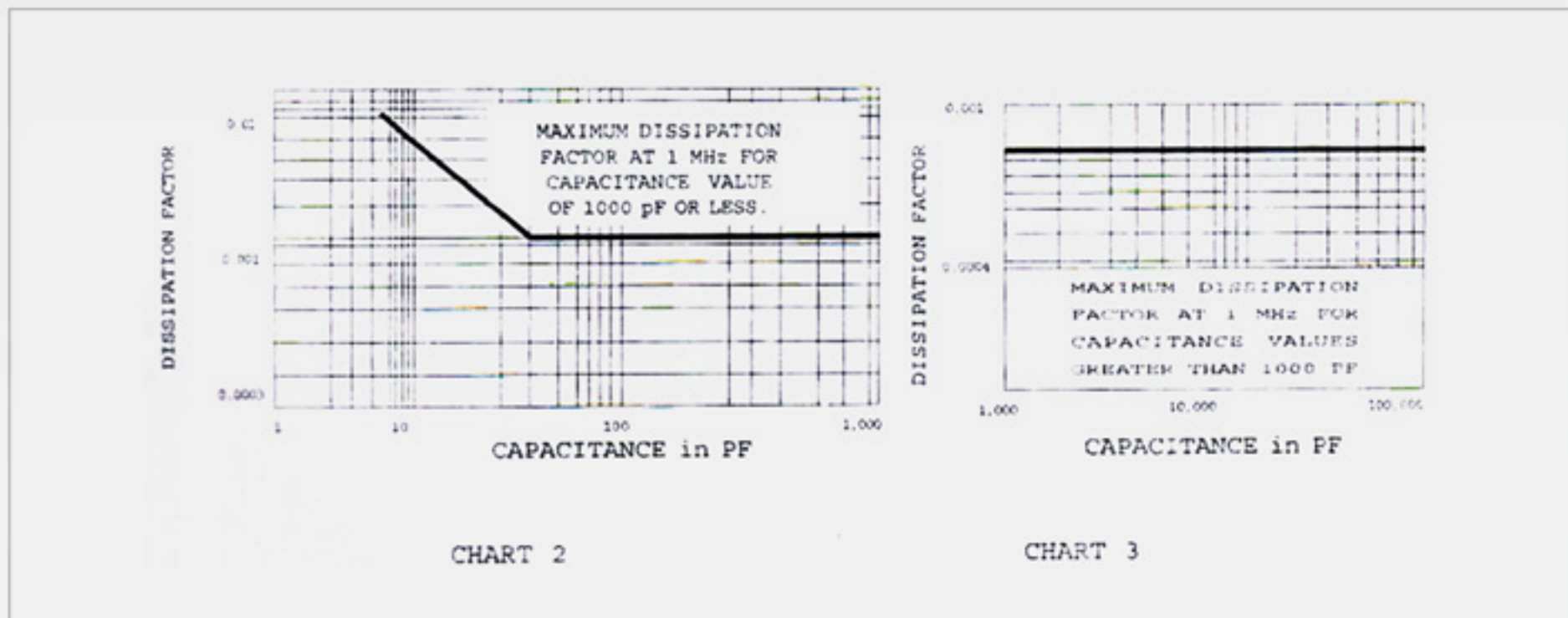
A & B micas : stained first quality
TA 28 micas : Stained A quality

KEL -F shield

Size like mica shields
Type B/H standard thickness = 1mm

Mica Capacitor

RANGE PER TYPE & VOLTAGE



MOULDED AXIAL

TYPE	500 V D.C.	300 V D.C.	100 V D.C.
MMR - 15	1 to 250 pF	251 to 750 pF	751 to 1000 pF
MMR - 20	4.7 to 510 pF	511 to 3300 pF	3301 to 5100 pF
MMR - 30	407 to 3300 pF	3301 to 5600 pF	5601 to 10000 pF
MMR - 35	3300 to 5600 pF	5601 to 10000 pF	10001 to 15000 pF

MOULDED RADIAL

TYPE	VOLT	pF RANGE
MMR - 1	300 V	5 to 10 pF
MMR - 2	300 V	200 to 10000 pF
MMR - 3	300 V	1000 to 2000 pF
MMR - 4	300 V	20000 to 30000 pF

CAP RANGE MAX IN pF

TYPE	CAPACITANCE RANGE					
	500 V	300 V	2500 V	2000 V	1000 V	500 V
FT - 1	-	-	100 to 1000 pF	150 to 25000 pF	501 to 125000 pF	100 to 250000 pF
FT - 2	100 to 2200 pF	100 to 7500 pF	500 to 10000 pF	-	-	-

Remarks: Ochar type of Terminals and sizes are available as per customer drawing & Specification.

DIPPED MICA

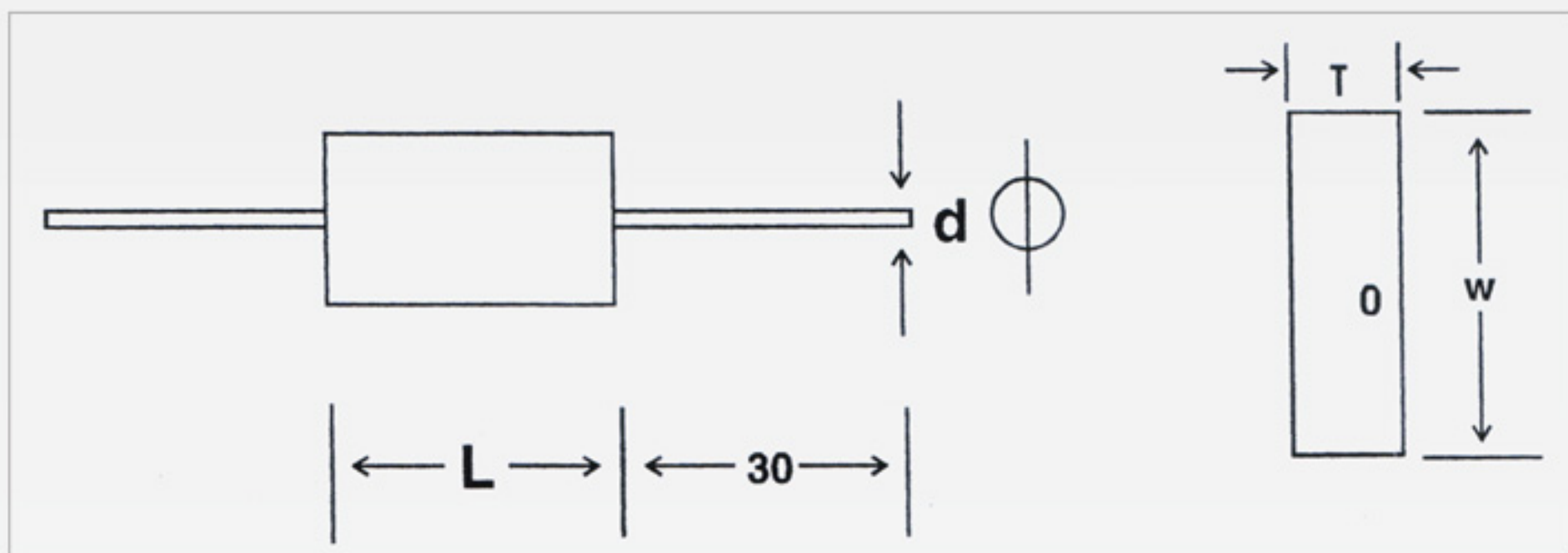
TYPE	CAPACITANCE RANGE IN pF					
	2000 V	1500 V	1000 V	500 V	300 V	300 V
MD - 10	-	-	-	1 to 240pF	241 to 360 pF	361 to 470 pF
MD - 15	-	-	-	1 to 510pF	511 to 820 pF	821 to 1500 pF
MD - 19	-	-	-	100 to 5100pF	5101 to 6800 pF	6801 to 8200 pF
MD - 20	-	-	-	680 to 10000pF	10001 to 12000 pF	12001 to 15000 pF
MD - 30	101 to 3600 pF	101 to 6500 pF	101 to 8200 pF	1000 to 22000pF	22001 to 30000 pF	30001 to 10000pF
MD - 42	101 to 7500 pF	101 to 10000 pF	101 to 20000 pF	16000 to 50000pF	50001 to 68000 pF	68001 to 100000pF

Power Transmitting Capacitors are available in box type PTC1, PTC2, PTC3 also cylindrical shape C1, C2, C3, and C4 as per details available here.

Note: For Robustness of terminals, Impact (bump), Impact (shock), Vibration, Damp Heat Severity, Temperature cycling, climate. Our capacitors conforms to JSS 50100, JSS 50200, JSS 50201.

Moulded Mica Capacitors

WITH AXIAL LEADS

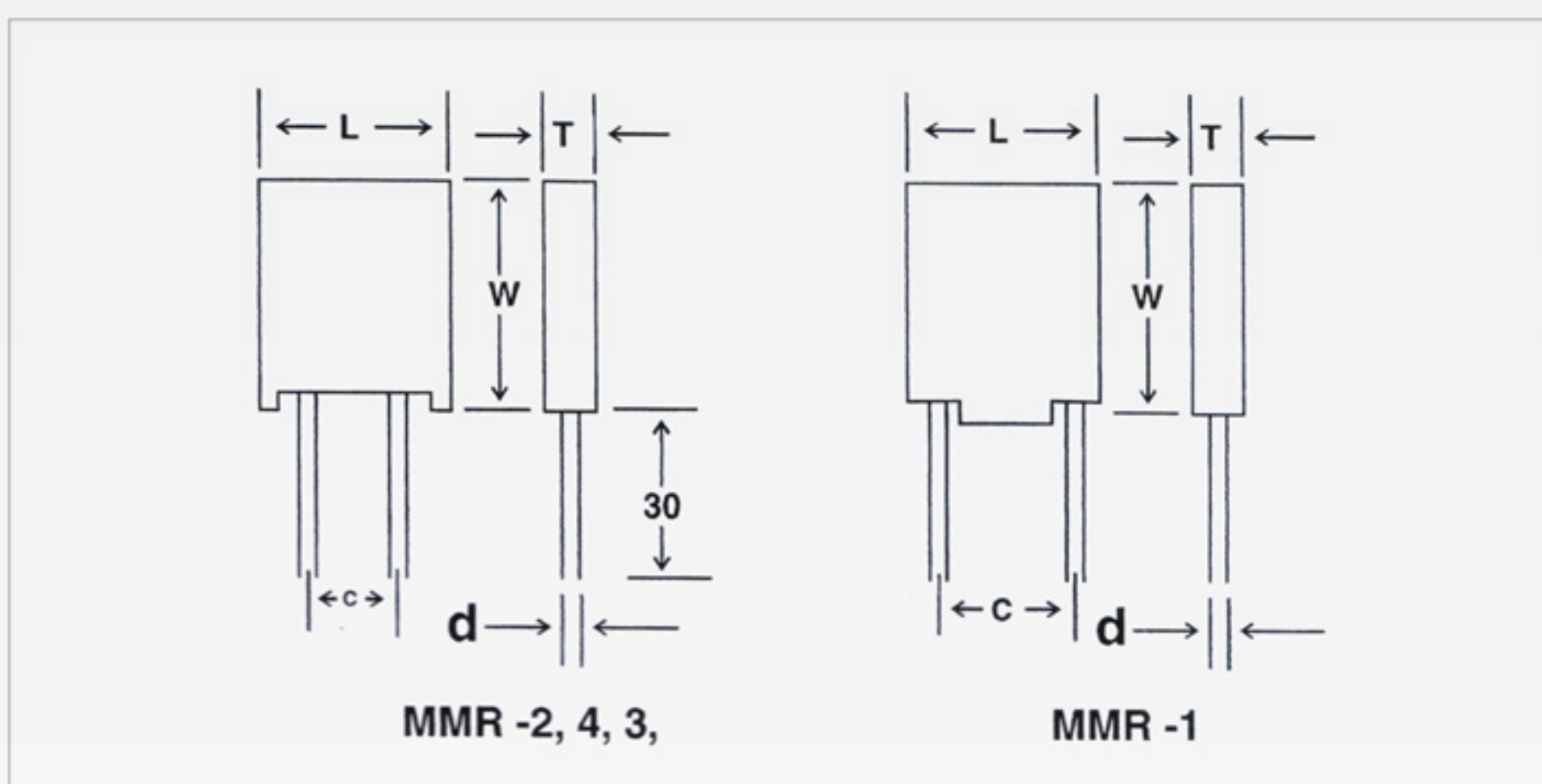
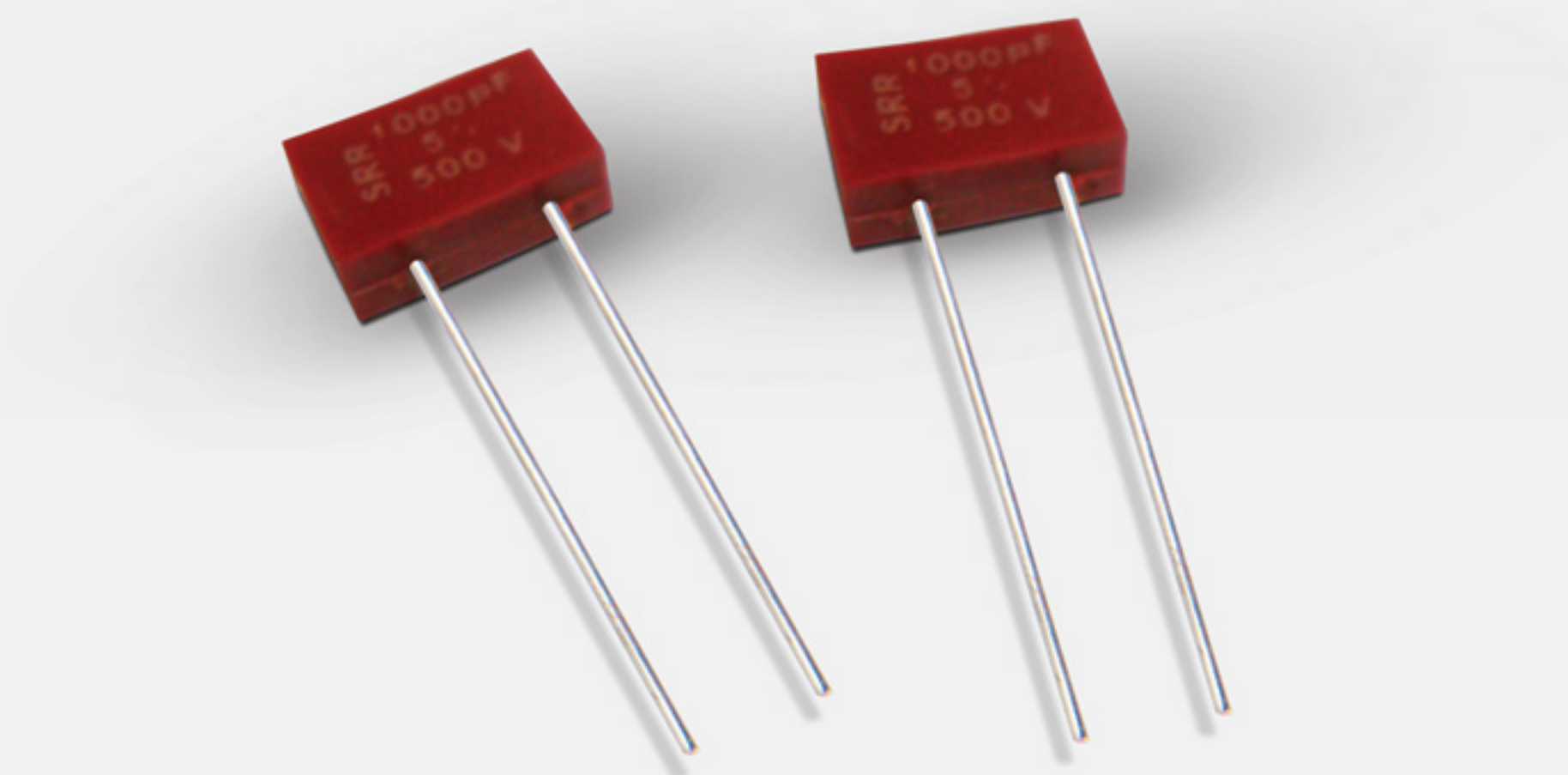


TYPE	CAPACITANCE (pF)	W. V. (dc)	DIMENSIONS IN MM			
			L Max	L Max	T Max	d Max
MM - 15	1 - 250	500	14.00	8.00	5.00	0.65
	251-750	300	14.00	8.00	5.00	0.65
	751-1000	100	14.00	8.00	5.00	0.65
MM - 20	4.7 - 510	500	20.00	12.00	6.00	0.85
	511 - 3300	300	20.00	12.00	6.00	0.85
	3301 - 5100	100	20.00	12.00	6.00	0.85
MM - 30	470 - 3300	500	21.50	21.50	7.50	1.10
	3301 - 5600	300	21.50	21.50	7.50	1.10
	5601 - 10000	100	21.50	21.50	7.50	1.10
MM - 35	3300 - 5600	500	21.50	21.50	9.00	1.10
	5601 - 10000	300	21.50	21.50	9.00	1.10
	10001 - 15000	100	21.50	21.50	9.00	1.10

Capacitors of higher working voltage can be supplied against specific enquiries.

Moulded Mica Capacitors

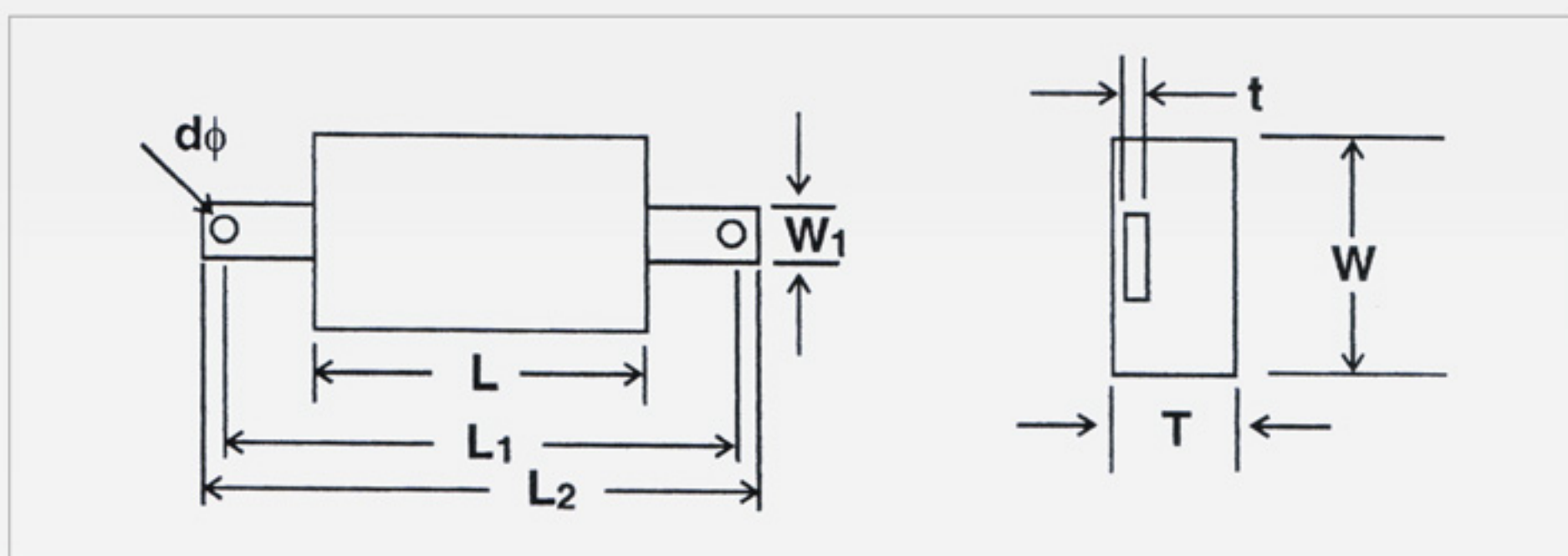
WITH RADIAL LEADS



TYPE	WORKING Voltage	PF RANGE	DIMENSIONS IN MM				
			L Max	W Max	T Max	d Max	d Max
MMR - 1	300 V	5 - 200	8.0	8.0	3.0	5.5	0.60
MMR - 2	300 V	200 - 10000	12.5	12.5	6.0	10.0	0.80
MMR - 3	300 V	10000 - 20000	12.5	12.5	8.0	10.0	0.80
MMR - 4	300 V	20000 - 30000	12.5	12.5	10.0	10.0	0.80

Moulded Mica Capacitors

FLAT TERMINALS



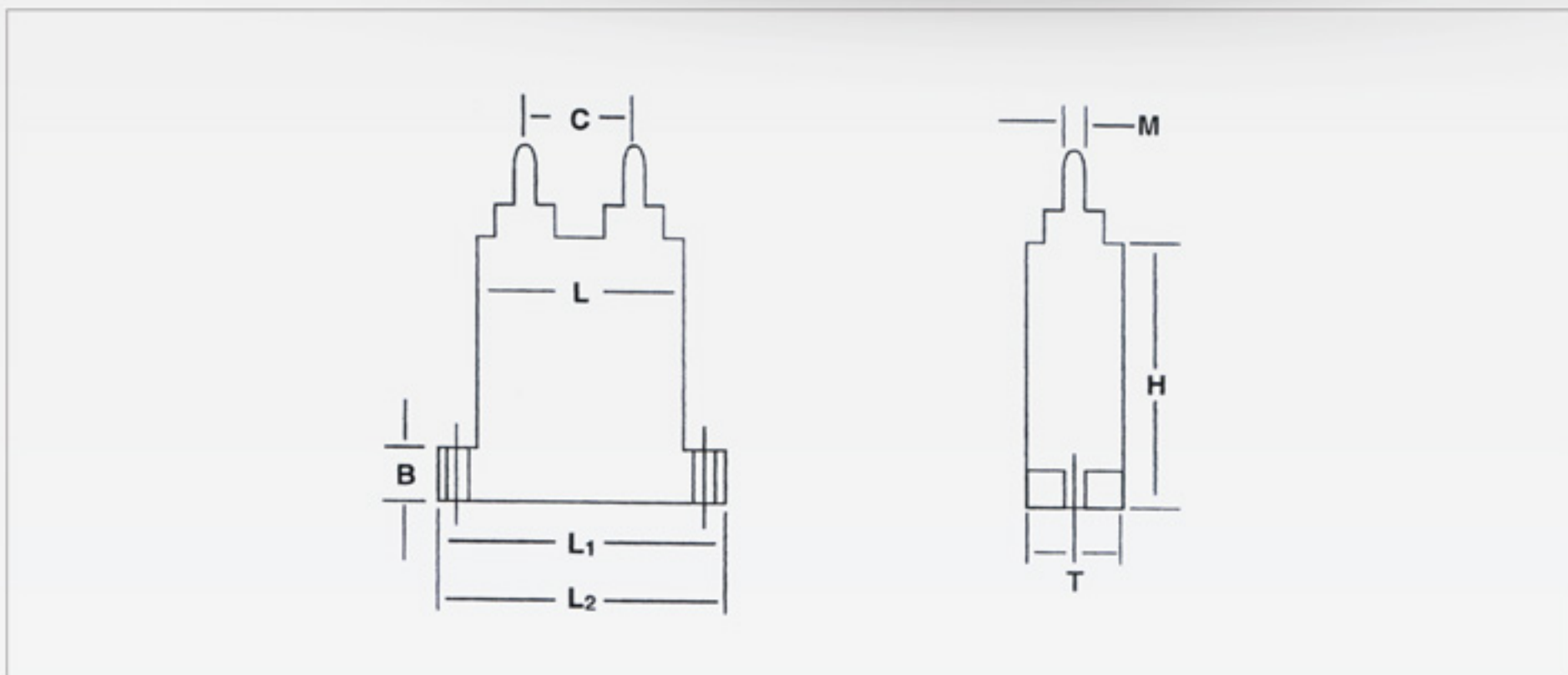
TYPE	DIMENSIONS IN MM						
	L Max	W Max	T Max	T Max	T Max	d Max	d Max
FT - 1	36	51	60	25	10	0.3	3.5
FT - 2	49	60	73	31	12	0.8	5

pF RANGE FOR DIFFERENT VOLTAGE

FT - 1	FT - 1	FT - 1	FT - 2	FT - 2	T - Max in mm
500 V	1000 V	2000 V	3000 V	5000 V	
100 - 25000	501 - 10000	250 - 2500	100 - 1000	100 - 500	8.0
25001 - 75000	10001 - 25000	2501 - 7500	1001 - 1500	501 - 750	9.0
75001 - 125000	25001 - 50000	7501 - 12000	1501 - 3900	751 - 1500	12.0
125001 - 175000	50001 - 75000	12001 - 16000	3901 - 5000	1501 - 1800	14.0
175001 - 225000	75001 - 100000	16001 - 20000	5001 - 6200	1801 - 2000	16.0
225001 - 250000	100001 - 125000	20001 - 25000	6201 - 7500	2001 - 2200	18.0

Power Transmitting Capacitors

HIGH VOLTAGE



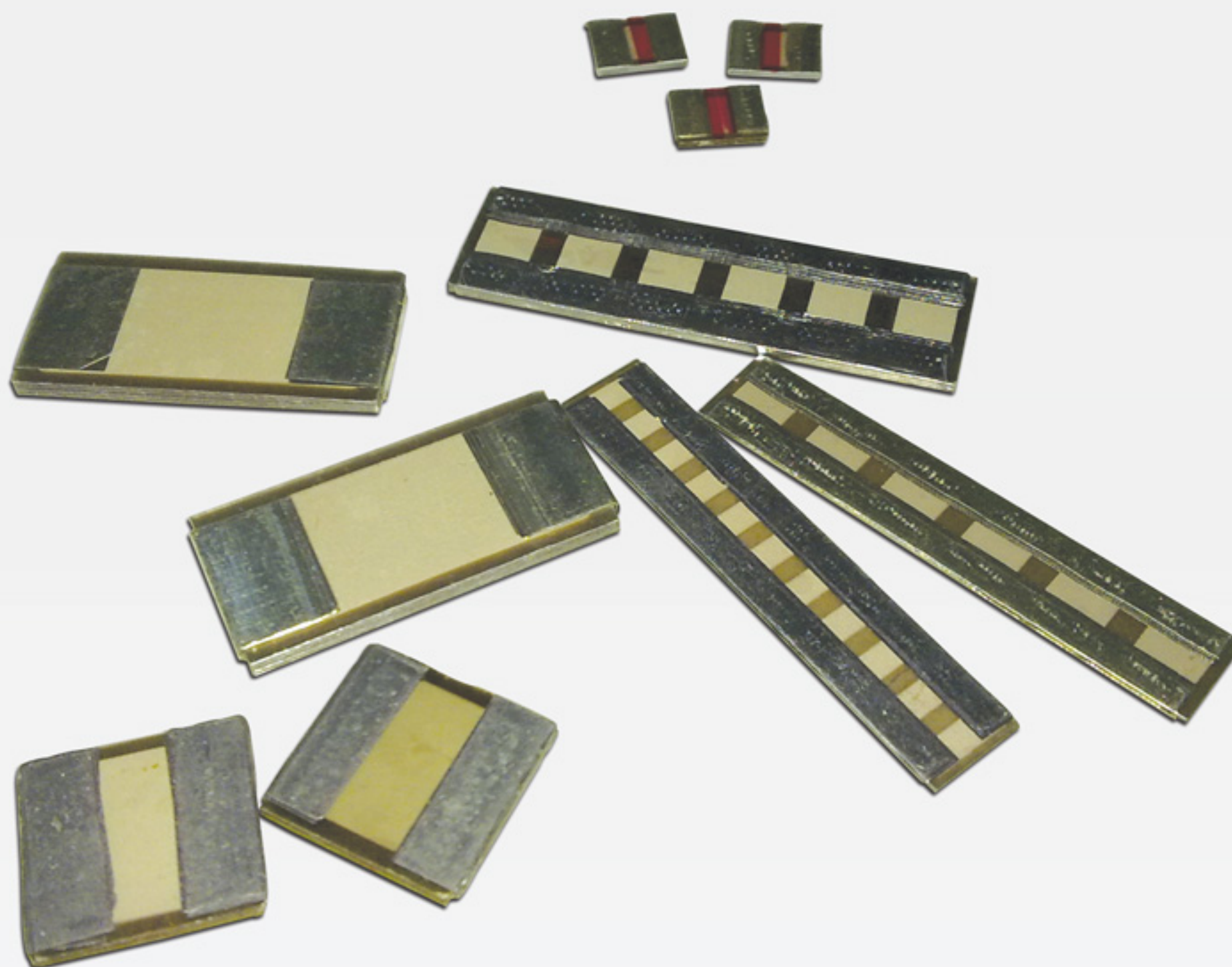
TYPE	L MAX	L1 MAX	L2 MAX	H MAX	T MAX	B MAX	TERMINAL SCREW	C
PTC - 1	50	70	80	55	30	8	M - 4	40
PTC - 2	80	90	100	75	45	10	M - 6	60
PTC - 3	105	115	125	100	55	10	M - 8	80

CAP RANGE MAX IN pF

TYPE	VDC									
	1000	2000	5000	7500	10000	15000	20000	25000	25000	30000
PTC - 1	100000	50000	20000	10000	2000	1000	500	-	-	-
PTC - 2	500000	250000	100000	50000	20000	10000	5000	1000	1000	500
PTC - 3	1000000	500000	200000	100000	30000	20000	10000	3000	3000	2500

Dipped Mica Capacitors

MD SERIES



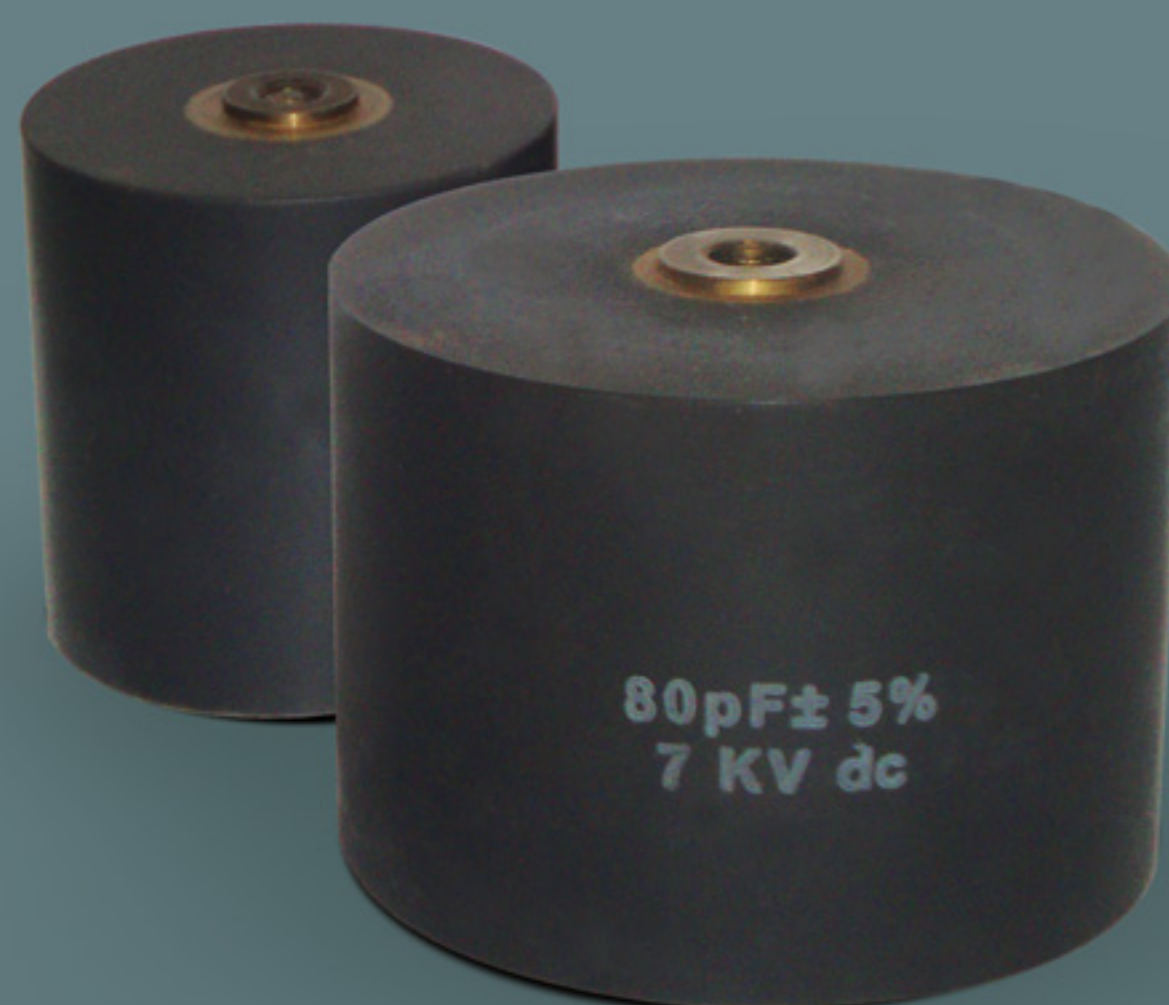
MD - 10

CAPACITANCE (PF)	W.V. (dc)	DIMENSIONS IN MM					
		L MAX	W MAX	T MAX	P(±0.8)	d MAX	R MAX
1 - 27	500	9.10	8.40	4.85	3.60	0.40	2.00
28 - 80	500	9.40	8.90	5.10	3.60	0.40	2.00
83 - 110	500	9.70	8.90	5.10	3.60	0.40	2.00
111 - 150	500	9.70	9.15	5.40	3.60	0.40	2.00
151 - 240	500	9.90	9.65	5.60	3.60	0.40	2.00
241 - 300	300	9.90	9.65	5.60	3.60	0.40	2.00
301 - 360	300	10.16	9.90	5.84	3.60	0.40	2.00
361 - 390	100	9.90	9.65	5.60	3.60	0.40	2.00
391 - 470	100	10.19	9.90	5.84	3.60	0.40	2.00

Mica Capacitors

HIGH VOLTAGE HIGH CURRENT CYLINDRICAL TYPE

Our Capacitors are designed for frequencies ranging from 1 MHz to 3 MHz Ideal for high current and high voltage circuits like brad casting, welding induction heating and other high frequency equipment etc. These capacitors electrically & dimensionally equipment MIL - C -5 Style CM - 76 through CM -91 in capacitors & current ratings



WITHSTAND VOLTAGE

When AC voltage applied gradually between the terminals from zero to the specified value, which is " rms value equal to the rated peak voltage" and full potential is applied for 5 second minimum at a frequency 100 HZs less, there will be no damage arcing or break down

DISSIPATION FACTOR

DF limit 1000 pF - 0.004 measured at 1 MHz
1000 pF - 0.0015 measured at 1 KHz

INSULATION RESISTANCE

Better than 7500 M - ohms after 1 minute application 100VDC.

OPERATING TEMPERATURE

-55°C to +125°C

CASE INSULATION

The encasing of the capacitors will withstand an voltage after the terminals are connected together and the case is touched by a metal electrode at 60 PWV without acing, breakdown or damaging for a duration of 1 to 5 seconds.



M /S SITARAM RAJGARHIA

Corporate Office

Post Box No. 94, Tundi Road
Girdih - 815301, Jharkhand, INDIA

Branch Office

COMMERCE HOUSE

2 Ganesh Ch. Avenue, 6th Floor, Flat No - 8C
Kolkata - 700013, WB INDIA

Ph 91- 6532 - 222767 | Fax 91-6532 - 222292
email srmica@sitaramgroup.co.in